

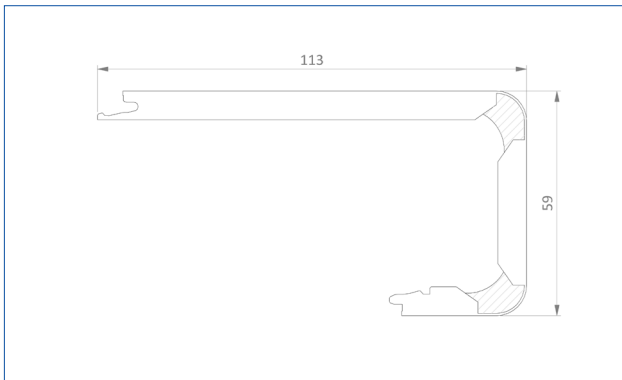


LAMINATE STAIR COVERS - CLASSIC

Technical data sheet
English

General information

Creating an elegant staircase that matches the rest of your interior is straightforward with our Laminate Stair Covers. You can match them with the design of your Classic Laminate floor and they are scratch and wear resistant, water-resistant, easy to clean and easily installed. It's without a doubt the most efficient way to renovate your stairs.



Contents

Composition

Colour

2 Laminate stair covers

HDF and glue

Colour-matched

Order code

Dimensions

No Empower input

1150 x 113 x 59 mm

Applicable for:

- Staircases that have an existing squared bullnose of maximum 42mm high.
- Staircases that have 90° squared steps.

Applications

With the Quick-Step Laminate Stair Covers, you can renovate staircases in the style that you like.

1. Colour-matched staircase

Finish the riser with an additional cut-to-size floor panel for a full colour-matched staircase.



2. Staircase with painted risers

Paint the risers with a contrasting colour to accentuate your staircase.



Features

Lift your stair to the next level! With our Laminate Stair Covers, you'll have a total makeover in no time.

✓ **Made from our floor planks**

Therefore we can guarantee the same benefits as our floors.

✓ **Perfect colour match**

Since the Laminate Stair Covers are made out of our Laminate floors, the Stair Covers match your floor perfectly.

✓ **Scratch and wear resistant**

Its ultra-strong core and unique top layer help protect against stains, scratches and impact damage.

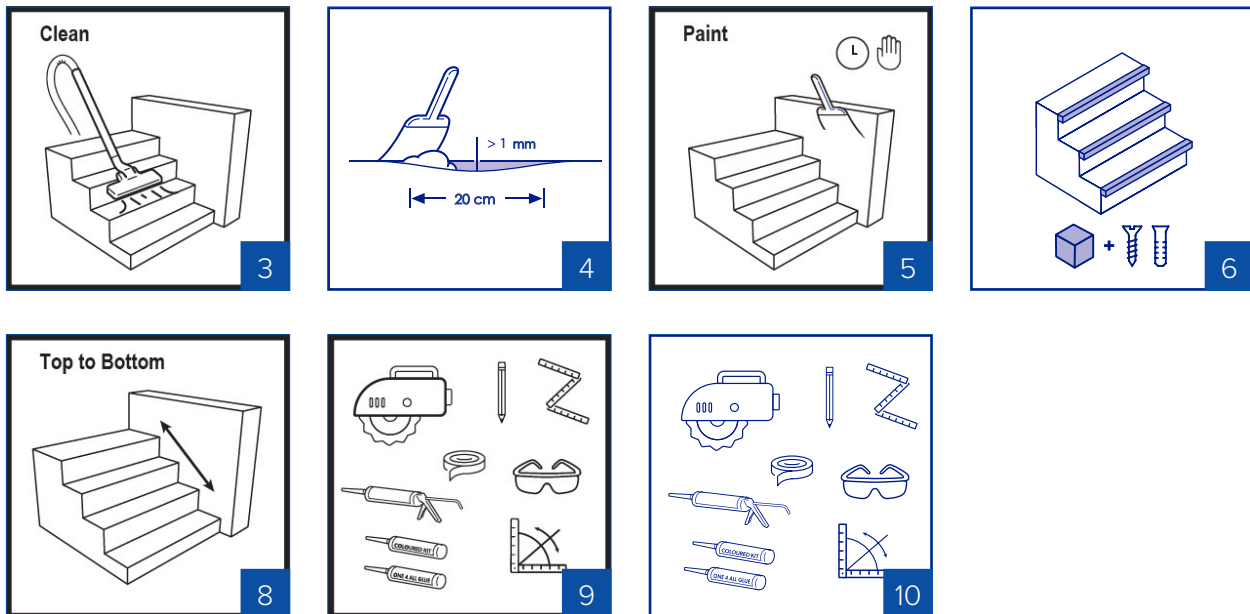
✓ **Easy to install**

Easily install the Laminate Stair Covers on your existing staircase with the Quick-Step One4All glue.



Preparation

Preparation is the key to success! Follow these steps carefully to guarantee a good installation.



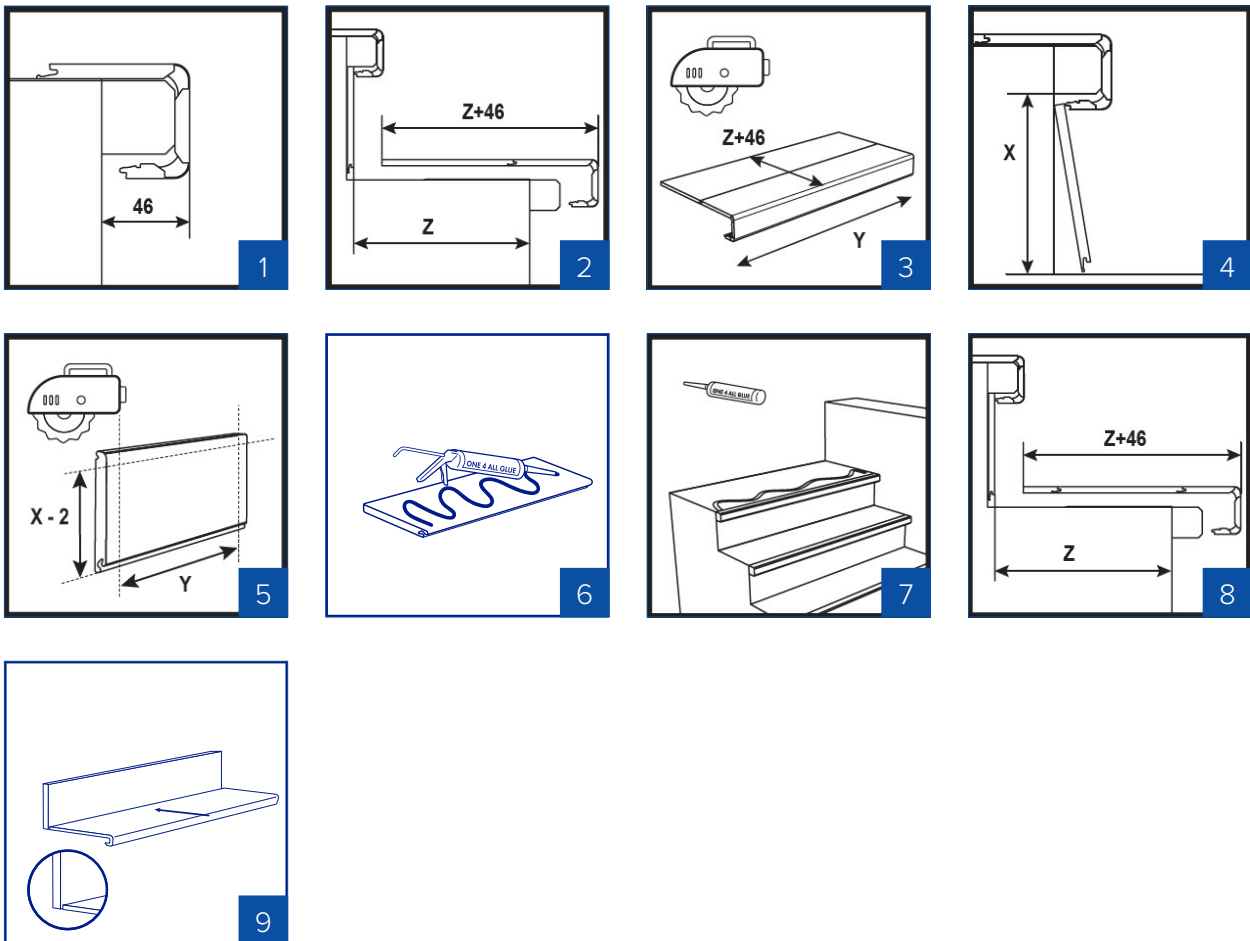
1. The staircovers are designed for closed stairs with risers, with a maximum width of 1150 mm in a standard residential environment. If you have a turn in your stairs, take into account the width of the turned step.
2. The floor and room temperature needs to be maintained prior to, during and for at least 48 hours after the installation is completed. Installation must be performed between 15° - 22°C and a relative humidity of RH 30%-75%. Cut out and preserve the label on the box as this information contains the product identity.
3. Remove all dirt, dust and grease from the stair.
4. Any unevenness of more than 1mm (0,04inch) over a length of 20cm (7,87inch) must be levelled out, but we advise levelling out the full stairbase to obtain the best results. Bumps should be removed by sanding or scraping.
5. Painting the sides, risers or seams can be done before installing the Laminate Stair Covers.

6. If the stair has no bullnose of its own, create a bullnose yourself.
7. Ensure that the Laminate Stair Cover is fully supported. Use a cut-off to verify.
8. Start from the top and work your way down. Always perform a dry fit before gluing the Laminate Stair Covers.
9. Needed materials:
 - Quick-Step Laminate Stair Covers and Laminate planks, consult the sales organiser to check how many planks and stair covers you need for your project
 - Quick-Step One4All glue - 1 cartridge of glue per 2 steps
 - Quick-Step Coloured Kit
 - Caulking gun
 - Tape measure or folding ruler and pencil
 - Tool of your choice to measure angles (eg. Pivot Square)
 - Crosscut and plunge saw that can cut through the 60mm Stair Cover, multitool (mind the thickness of the stair cover, be sure to use a compatible plunge saw)
 - Spare blades
 - If the stair has no existing bullnose, foresee wooden bars, screws and plugs to create a bullnose. The wooden bars should be 38 x 30 mm for painted risers and 38 x 40 mm for colour matched risers.
 - Tape
 - For longer bullnoses, wood glue
10. Needed materials:
 - Quick-Step Laminate Stair Covers and Laminate planks, consult the sales organiser to check how many planks and stair covers you need for your project
 - Quick-Step One4All glue - 1 cartridge of glue per 2 steps
 - Quick-Step Coloured Kit
 - Caulking gun
 - Tape measure or folding ruler and pencil
 - Tool of your choice to measure angles (eg. Pivot Square)
 - Crosscut and plunge saw that can cut through the 60mm Stair Cover, multitool (mind the thickness of the stair cover, be sure to use a compatible plunge saw and a new saw blade)
 - Spare blades
 - If the stair has no existing bullnose, foresee wooden bars, screws and plugs to create a bullnose. The wooden bars should be 38 x 30 mm for painted risers and 38 x 40 mm for colour matched risers.
 - Tape
 - For longer bullnoses, wood glue

Installation

Colour-matched staircase

Below is a list of the installation steps to obtain a correct installation of a fully colour-matched staircase. Please start from the top of your stairs

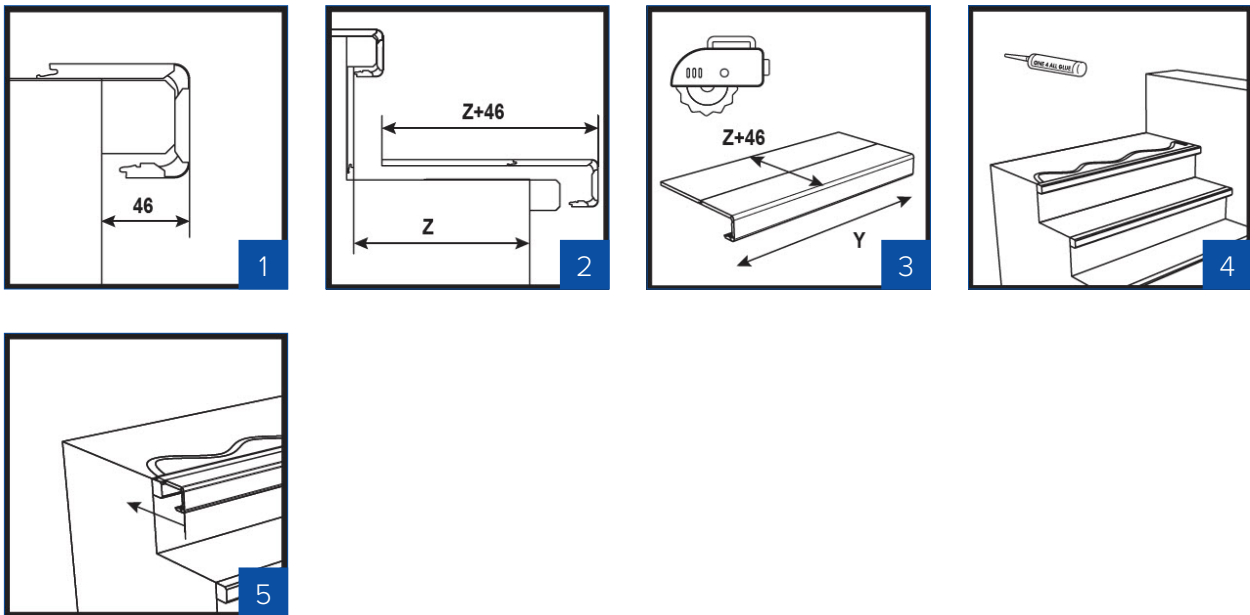


1. Measure the distance between the front of the Stair Cover and the below riser. < 46 mm: plank won't fit behind the Stair Cover. The bullnose must be enlarged or the Stair Cover adjusted to fit the floor plank for the riser and fully support the Stair Cover. ≥ 46 mm: check if you need to click an additional plank onto the bottomside of the Stair Cover to obtain a clean finish. Tape these two parts together on the backside and/or apply woodglue in the click profile.

2. Measure the exact shape of each horizontal side of each step.
3. Click the Stair Cover and planks together and cut to size.
4. Measure the riser. The step below can then be pushed under the riser by gently sliding it upwards.
5. You can leave the groove on and saw to the height of the riser minus minimum 2mm.
6. Alternatively, cut the riser to size and correct the depth of the step instead. Install the step directly against the riser.
7. Glueing: always perform a dry fit before glueing the stair. Start from the top of the stairs. Apply glue in a wavy motion and make sure enough glue is applied.
8. Glue down the riser, then the stair cover and repeat. Adjust the position of the riser.
9. If the floor on the upper level is installed floating, make sure you use an Incizo between the glued down upper Stair Cover and the floating floor.
10. Try to avoid walking on it for 24 hours to ensure the drying time of our Quick-Step One4All Glue.

Staircase with painted risers

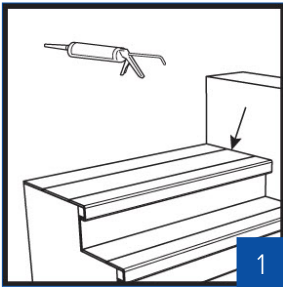
Below is a list of the installation steps to obtain a correct installation of a fully colour-matched staircase. Please start from the top of your stairs



1. Measure the distance between the front of the Stair Cover and the below riser. < 36 mm: the bullnose must be enlarged or the Stair Cover adjusted to fit the floor plank for the riser and fully support the Stair Cover. ≥ 36 mm: check if you need to click an additional plank onto the bottomside of the Stair Cover to obtain a clean finish. Tape these two parts together on the backside and/or apply woodglue in the click profile.
2. Measure the exact shape of each horizontal side of each step.
3. Click the Stair Cover and planks together and cut to size.
4. Glueing: always perform a dry fit before glueing the stair. Start from the top of the stairs. Apply glue in a wavy motion and make sure enough glue is applied.
5. First of all, glue down the upper Stair Cover. If the floor on the upper level is installed floating, make sure you use an Incizo between the glued down upper Stair Cover and the floating floor.
6. Try to avoid walking on it for 24 hours to ensure the drying time of our Quick-Step One4All Glue.

Finishing

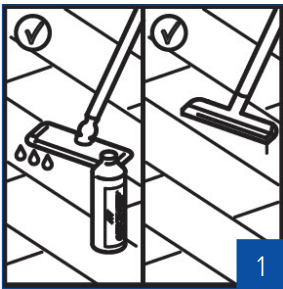
Below is a list of the finishing steps to obtain the perfect look of your staircase.



1. Finish seams with Quick-Step Coloured kit (QSKIT(-)) to hide any imperfections. The Coloured kit is available in white and different matching colours to your floor. The coloured kit is also paintable!

Maintenance

Maintenance made easy!



1. Maintain your finished staircase in the same way as your Quick-Step Laminate floor with our Quick-Step Floor cleaner. See [quick-step.com](https://www.quick-step.com) for Laminate maintenance instructions.

